

Knobs

Technopolymer

MATERIAL

Polyamide based (PA) technopolymer, black, orange colour, glossy finish.

CONTRAST SCREEN

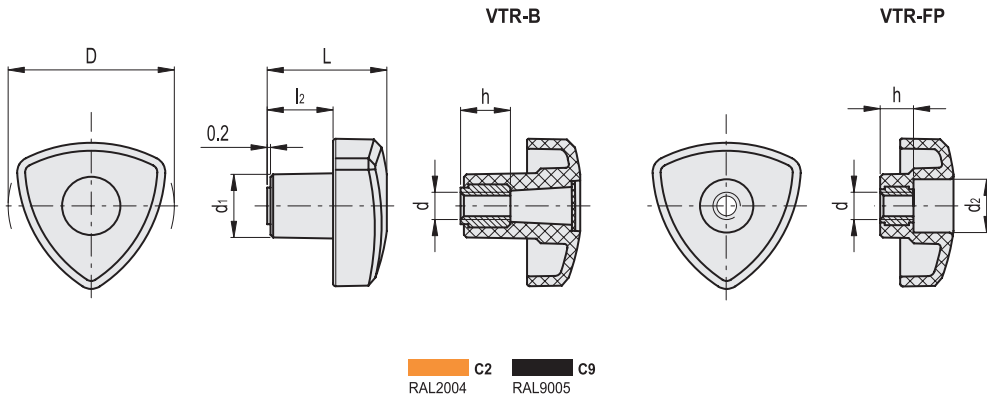
Matte anodised aluminium.

STANDARD EXECUTIONS

- **VTR-B**: brass boss, threaded blind hole.
- **VTR-FP**: brass boss, threaded pass-through hole.
- **VTR-N**: square hole.
- **VTR-p**: zinc-plated steel threaded stud, chamfered flat end according to UNI 947 : ISO 4753 (see Technical data on page A11).



ELESA Original design



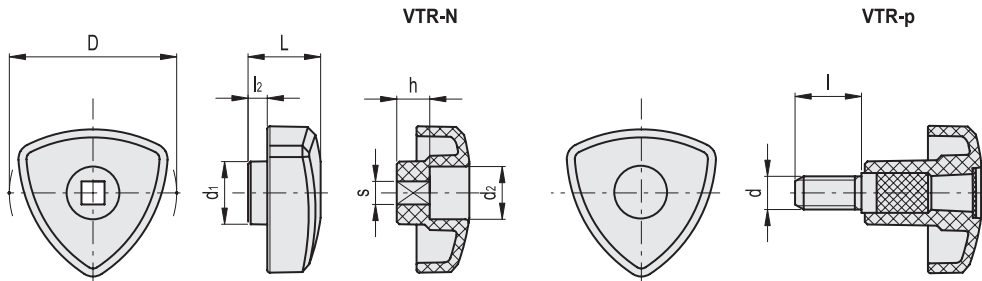
VTR-B

Code	Description	Code	Description	D	d6H	L	d1	l2	h	⚖
83002	VTR.32 B-M5-C2	83001	VTR.32 B-M5-C9	32	M5	26	14	16	10	7
83012	VTR.32 B-M6-C2	83011	VTR.32 B-M6-C9	32	M6	26	14	16	12	9
83402	VTR.40 B-M6-C2	83401	VTR.40 B-M6-C9	40	M6	30	16	17	12	11
83412	VTR.40 B-M8-C2	83411	VTR.40 B-M8-C9	40	M8	30	16	17	14	13
83802	VTR.50 B-M8-C2	83801	VTR.50 B-M8-C9	50	M8	35	19	19	14	18
83812	VTR.50 B-M10-C2	83811	VTR.50 B-M10-C9	50	M10	35	19	19	16	22
84202	VTR.60 B-M10-C2	84201	VTR.60 B-M10-C9	60	M10	41	22	22	16	30
84212	VTR.60 B-M12-C2	84211	VTR.60 B-M12-C9	60	M12	41	22	22	18	32

VTR-FP

Code	Description	D	d6H	L	d1	d2	l2	h	⚖
83021	VTR.32 FP-M5	32	M5	14	14	10	4	6	5
83421	VTR.40 FP-M6	40	M6	18	16	12	5	8	8
83821	VTR.50 FP-M8	50	M8	22	19	16	6	10	14
84221	VTR.60 FP-M10	60	M10	26	22	19	7	12	22





VTR-N

Code	Description	D	sH9	L	d1	d2	l2	h	⚖
83031	VTR.32 N-5x5	32	5	14	14	10	4	6	4
83431	VTR.40 N-6x6	40	6	18	16	12	5	8	7
83831	VTR.50 N-6x6	50	6	22	19	16	6	10	12
83836	VTR.50 N-7x7	50	7	22	19	16	6	10	11
84231	VTR.60 N-7x7	60	7	26	22	19	7	12	18

VTR-p

Code	Description	D	d6g	L	d1	l	l2	⚖
83041	VTR.32 p-M5x10	32	M5	26	14	10	16	9
83042	VTR.32 p-M5x20	32	M5	26	14	20	16	10
83043	VTR.32 p-M5x40	32	M5	26	14	40	16	13
83051	VTR.32 p-M6x10	32	M6	26	14	10	16	10
83052	VTR.32 p-M6x20	32	M6	26	14	20	16	13
83053	VTR.32 p-M6x40	32	M6	26	14	40	16	15
83441	VTR.40 p-M6x10	40	M6	30	16	10	17	14
83442	VTR.40 p-M6x20	40	M6	30	16	20	17	15
83443	VTR.40 p-M6x40	40	M6	30	16	40	17	19
83451	VTR.40 p-M8x16	40	M8	30	16	16	17	19
83452	VTR.40 p-M8x30	40	M8	30	16	30	17	25
83453	VTR.40 p-M8x50	40	M8	30	16	50	17	30
83841	VTR.50 p-M8x16	50	M8	35	19	16	19	28
83842	VTR.50 p-M8x30	50	M8	35	19	30	19	32
83843	VTR.50 p-M8x50	50	M8	35	19	50	19	37
83851	VTR.50 p-M10x20	50	M10	35	19	20	19	35
83852	VTR.50 p-M10x30	50	M10	35	19	30	19	40
83853	VTR.50 p-M10x50	50	M10	35	19	50	19	50
84241	VTR.60 p-M10x20	60	M10	41	22	20	22	46
84242	VTR.60 p-M10x30	60	M10	41	22	30	22	48
84243	VTR.60 p-M10x50	60	M10	41	22	50	22	60
84251	VTR.60 p-M12x20	60	M12	41	22	20	22	57
84252	VTR.60 p-M12x30	60	M12	41	22	30	22	65
84253	VTR.60 p-M12x50	60	M12	41	22	50	22	80

